

# ECS-8FM-036-TR Datasheet

[www.digi-electronics.com](http://www.digi-electronics.com)



<https://www.DiGi-Electronics.com>

DiGi Electronics Part Number	ECS-8FM-036-TR-DG
Manufacturer	<a href="#">ECS Inc.</a>
Manufacturer Product Number	ECS-8FM-036-TR
Description	XTAL OSC XO 3.6864MHZ CMOS TTL
Detailed Description	3.6864 MHz XO (Standard) CMOS, TTL Oscillator 5V Enable/Disable 4-SOJ, 5.08mm pitch



Tel: +00 852-30501935

RFQ Email: [Info@DiGi-Electronics.com](mailto:Info@DiGi-Electronics.com)

DiGi is a global authorized distributor of electronic components.

## Purchase and inquiry

Manufacturer Product Number:

ECS-8FM-036-TR

Series:

ECS-8F

Base Resonator:

Crystal

Frequency:

3.6864 MHz

Output:

CMOS, TTL

Frequency Stability:

±200ppm

Operating Temperature:

-40°C ~ 85°C

Current - Supply (Max):

23mA

Mounting Type:

Surface Mount

Size / Dimension:

0.551" L x 0.341" W (14.00mm x 8.65mm)

Current - Supply (Disable) (Max):

-

Manufacturer:

ECS Inc.

Product Status:

Obsolete

Type:

XO (Standard)

Function:

Enable/Disable

Voltage - Supply:

5V

Absolute Pull Range (APR):

-

Spread Spectrum Bandwidth:

-

Ratings:

-

Package / Case:

4-SQJ, 5.08mm pitch

Height - Seated (Max):

0.185" (4.70mm)

## Environmental & Export classification

RoHS Status:

RoHS non-compliant

ECCN:

EAR99

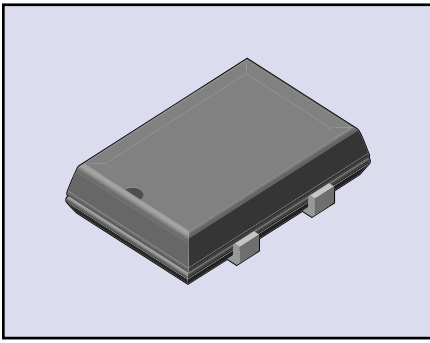
Moisture Sensitivity Level (MSL):

1 (Unlimited)

HTSUS:

8542.39.0001

# ECS-8F SERIES SMD CLOCK OSCILLATOR



The ECS-8FM (5V) and ECS-8FA3 (3.3V) CMOS compatible, J-led SMD oscillator. The 8F series utilizes a low power CMOS IC in a cost effective package suitable for reflow soldering.

## FEATURES

- 5.0V & 3.3V versions
- Extended temperature range
- Tri-State function
- Tape and Reel (1,000 pcs STD)

## PART NUMBERING GUIDE

ECS-8FM	FREQUENCY (50.0 MHz)	TAPE AND REEL
-	500	- TR

Sample Part Number: ECS-8FM-500-TR

## OPERATING CONDITIONS/ELECTRICAL CHARACTERISTICS

PARAMETERS	CONDITIONS	ECS-8FM (5V)			ECS-8FA3 (3.3V)			UNITS
		MIN	TYP	MAX	MIN	TYP	MAX	
FREQUENCY RANGE		1.000		80.000	1.000		80.000	MHz
TEMPERATURE RANGE	Operating	-40°		+85°	-40°		+85°	°C
	Storage	-55°		+125°	-55°		+125°	°C
SUPPLY VOLTAGE		+4.5°	+5.0°	+5.5°	+3.0	+3.3	+3.6	V DC
FREQUENCY STABILITY*	-10 ~ +70°C			±100			±100	PPM
	-40 ~ 85°C			±200			±200	PPM
INPUT CURRENT	1.0 ~ 30.0 MHz			23			9	mA
	30.1 ~ 80.0 MHz			35			20	mA
OUTPUT SYMMETRY	@ 1/2 V <sub>CC</sub> Level	40/60		60/40	45/55		55/45	%
RISE AND FALL TIMES	1.0 ~ 30.0 MHz			8			6	ns
	30.1 ~ 80.0 MHz			7			6	ns
OUTPUT VOLTAGE	V <sub>OL</sub>			+0.5			+0.4	V
	V <sub>OH</sub>	V <sub>CC</sub> -0.5			V <sub>CC</sub> -0.4			V
OUTPUT LOAD	TTL			10				TTL
	CMOS			50			30	pF
START-UP TIME	1.0 ~ 30.0 MHz			4			4	ms
	30.1 ~ 80.0 MHz			10			10	ms
ENABLE/DISABLE TIME				100			100	ns

\* Inclusive of 25°C tolerance, operating temperature range, input voltage change, load change, aging shock and vibration.

\*\* An internal pullup resistor from pin 1 to 4 allows active output if pin 1 is left open.

## PACKAGE DIMENSIONS (mm)

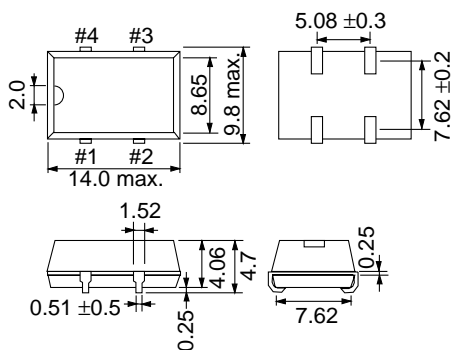


Figure 1) ECS-8F Top and Side view

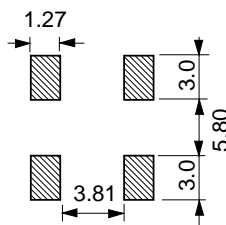


Figure 2) Land Pattern

PIN CONNECTIONS	
#1	TRI-STATE
#2	GND
#3	OUTPUT
#4	V <sub>CC</sub>

TRI-STATE CONTROL VOLTAGE		
8FM	8FA3	OUTPUT
PIN 1	PIN 1	PIN 3
OPEN**	OPEN**	OSCILLATION
2V MIN	2.4V MIN	OSCILLATION
0.8 MAX	0.6 MAX	HIGH IMPEDANCE

## OUR CERTIFICATE

DiGi provide top-quality products and perfect service for customer worldwide through standardization, technological innovation and continuous improvement. DiGi through third-party certification, we stricly control the quality of products and services. Welcome your RFQ to

Email: [Info@DiGi-Electronics.com](mailto:Info@DiGi-Electronics.com)



Tel: +00 852-30501935

RFQ Email: [Info@DiGi-Electronics.com](mailto:Info@DiGi-Electronics.com)

DiGi is a global authorized distributor of electronic components.