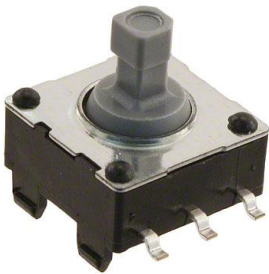


JS5208 Datasheet

www.digi-electronics.com



<https://www.DiGi-Electronics.com>

DiGi Electronics Part Number	JS5208-DG
Manufacturer	E-Switch
Manufacturer Product Number	JS5208
Description	SWITCH NAVIGATION DGTL 20MA 15V
Detailed Description	Navigation Switch, 2 - Axis Digital (Mechanical Switch) Output

This model JS5208 is available at DiGi Electronics.

DiGi Electronics offers a global database of semiconductor and electronic component datasheets.

We welcome your inquiries regarding pricing, lead time, or other product-related questions.

 [Request a Quote](#)

 [Datasheet Search](#)



Tel: +00 852-30501935

RFQ Email: Info@DiGi-Electronics.com

DiGi is a global authorized distributor of electronic components.

Purchase and inquiry

Manufacturer Product Number:

JS5208

Series:

JS5208

Type:

Navigation Switch, 2 - Axis

Switch Function:

4-Way Directional, Center Select

Output:

Digital (Mechanical Switch)

Current Rating (Amps):

20mA (DC)

Contact Material:

-

Mounting Type:

Surface Mount

Operating Temperature:

-20°C ~ 70°C

Ingress Protection:

-

Mechanical Life:

100,000 Cycles

Operating Force:

280/500gf

Manufacturer:

E-Switch

Product Status:

Active

Actuator Type:

Plunger for Cap

Functions, Extra:

-

Voltage - Supply:

-

Voltage Rating - DC:

15 V

Contact Finish:

-

Termination Style:

Gull Wing

Panel Cutout Dimensions:

-

Features:

-

Electrical Life:

100,000 Cycles

Environmental & Export classification

RoHS Status:

ROHS3 Compliant

REACH Status:

REACH Unaffected

HTSUS:

8536.50.9065

Moisture Sensitivity Level (MSL):

1 (Unlimited)

ECCN:

EAR99

SERIES JS 5208 SWITCHES

NAVIGATION SWITCHES

TACT SWITCHES

NAVIGATION SWITCHES

PUSHBUTTON SWITCHES

TOGGLE SWITCHES

ROCKER SWITCHES

SLIDE SWITCHES

SNAP-ACTION SWITCHES

DIP SWITCHES

KEYLOCK SWITCHES

ROTARY SWITCHES

DETECTOR SWITCHES

CAP OPTIONS



SPECIFICATIONS

Contact Rating:	20mA, 15VDC
Life Expectancy:	100,000 Cycles
Contact Resistance:	100m Ohms Max (initial)
Operating Force:	Tilt-280+/-100 grams Push-500 +/-150 grams
Dielectric:	250VAC
Operating Temp:	-20C to +70C
Travel:	Tilt 8 degrees, Push 1.0 +/-0.2mm's

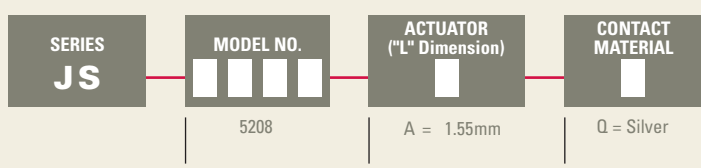
FEATURES & BENEFITS

- ▶ 5-position navigation
- ▶ Designed for SMT applications that require navigation

APPLICATIONS/MARKETS

- ▶ Consumer electronics where user interface is needed
- ▶ Handheld instrumentation
- ▶ Navigation
- ▶ Telecommunication

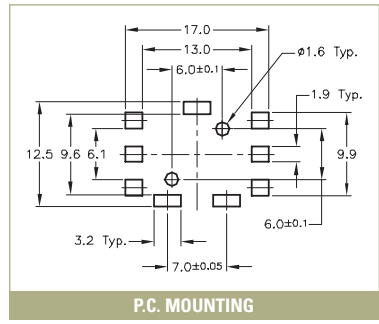
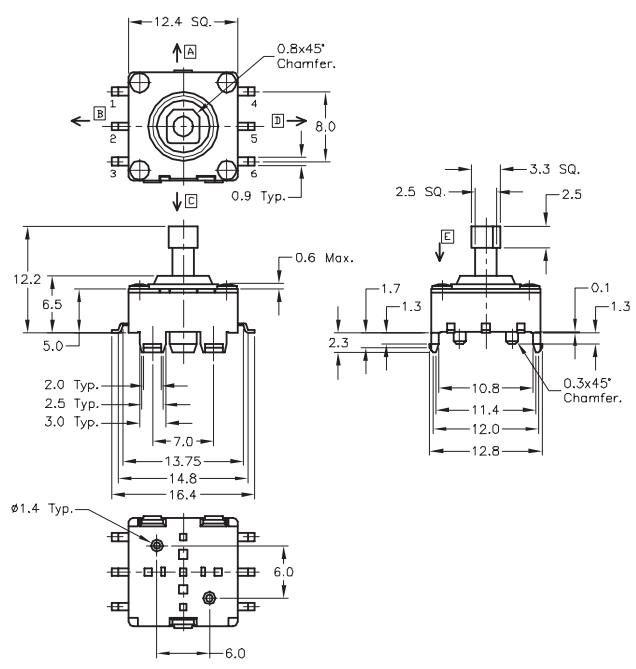
HOW TO ORDER



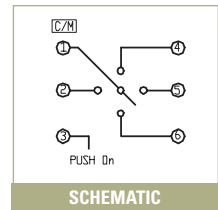
▶ ▶ ▶ Example Ordering Number
JS-5208-A-Q

Specifications subject to change without notice.

JS 5208



Position	Connected Term. #
A	1 - 4
B	1 - 2
C	1 - 6
D	1 - 5
E (Push)	1 - 3



OUR CERTIFICATE

DiGi provide top-quality products and perfect service for customer worldwide through standardization, technological innovation and continuous improvement. DiGi through third-party certification, we stricy control the quality of products and services. Welcome your RFQ to

Email: Info@DiGi-Electronics.com



Tel: +00 852-30501935

RFQ Email: Info@DiGi-Electronics.com

DiGi is a global authorized distributor of electronic components.