

# TL53AF160Q Datasheet



DiGi Electronics Part Number	TL53AF160Q-DG
Manufacturer	<a href="#">E-Switch</a>
Manufacturer Product Number	TL53AF160Q
Description	SWITCH TACT SPSTX2 0.05A 12V
Detailed Description	Tactile Switch SPST x 2 Side Actuated Through Hole , Right Angle

<https://www.DiGi-Electronics.com>

This model TL53AF160Q is available at DiGi Electronics.

DiGi Electronics offers a global database of semiconductor and electronic component datasheets.

We welcome your inquiries regarding pricing, lead time, or other product-related questions.

 [Request a Quote](#)

 [Datasheet Search](#)



Tel: +00 852-30501935

RFQ Email: [Info@DiGi-Electronics.com](mailto:Info@DiGi-Electronics.com)

DiGi is a global authorized distributor of electronic components.

## Purchase and inquiry

Manufacturer Product Number:

TL53AF160Q

Series:

TL53

Circuit:

SPST x 2

Contact Rating @ Voltage:

0.05A @ 12VDC

Mounting Type:

Through Hole, Right Angle

Actuator Length, Right Angle:

3.85mm

Termination Style:

PC Pin

Illumination:

Non-Illuminated

Illumination Voltage (Nominal):

-

Ingress Protection:

-

Operating Temperature:

-20°C ~ 70°C

Switch Travel:

0.25mm

Base Product Number:

TL53A

Manufacturer:

E-Switch

Product Status:

Obsolete

Switch Function:

Off-Mom

Actuator Type:

Dual

Actuator Height off PCB, Vertical:

-

Actuator Orientation:

Side Actuated

Outline:

8.40mm x 10.50mm

Illumination Type, Color:

-

Operating Force:

160gf

Features:

-

Actuator Material:

Acetal

Mechanical Life:

100,000 Cycles

## Environmental & Export classification

RoHS Status:

ROHS3 Compliant

REACH Status:

REACH Unaffected

HTSUS:

8536.50.9031

Moisture Sensitivity Level (MSL):

1 (Unlimited)

ECCN:

EAR99

# SERIES TL 53 SWITCHES

## TACT SWITCHES - Dual

TACT SWITCHES

NAVIGATION SWITCHES

PUSHBUTTON SWITCHES

TOGGLE SWITCHES

ROCKER SWITCHES

SLIDE SWITCHES

SNAP-ACTION SWITCHES

DIP SWITCHES

KEYLOCK SWITCHES

ROTARY SWITCHES

DETECTOR SWITCHES

CAP OPTIONS



### SPECIFICATIONS

Contact Rating:	50mA @ 12 VDC
Life Expectancy:	100,000 cycles
Contact Resistance:	100mΩ max., typical @ 2-4 VDC 100mA for both silver and gold plated contacts
Insulation Resistance:	100mΩ min.
Dielectric Strength:	250VAC
Actuation Force:	100 ± 50 gf, 160 ± 50 gf, 250 ± 50 gf
Operating Temperature:	-20°C to 70°C
Travel:	0.25 Typ

### MATERIALS

Housing:	Polyester
Actuator:	Acetal
Cover:	Tin plated steel
Contacts:	Silver plated phosphor bronze
Terminals:	Silver plated brass

### FEATURES & BENEFITS

- ▶ Two independent switches in a single package
- ▶ Stacked design
- ▶ Reliable dome contact technology

### APPLICATIONS/MARKETS

- ▶ Telecommunications
- ▶ Consumer Electronics
- ▶ Audio/visual
- ▶ Medical
- ▶ Testing/instrumentation
- ▶ Computer/servers/peripherals

### HOW TO ORDER

SERIES	MODEL NO.	ACTUATOR ("L" Dimension)	OPERATING FORCE	CONTACT MATERIAL
TL	53	(None) = 3.15mm A = 3.85mm B = 5.85mm C = 6.15mm D = 6.85mm E = 7.35mm G = 8.35mm H = 11.85mm	F100 F160 F260	Q = Silver

(None) = 3.15	C = 6.15	G = 8.35
A = 3.85	D = 6.85	H = 11.85
B = 5.85	E = 7.35	

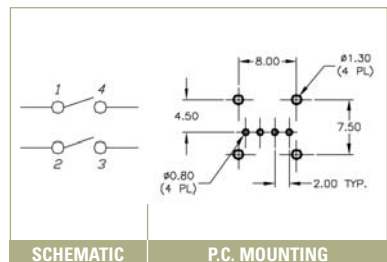
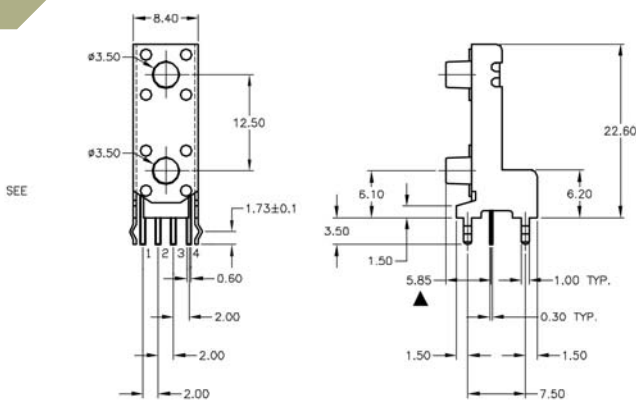
F100 = 100 ± 50gf
F160 = 160 ± 50gf
F260 = 260 ± 50gf

### Example Ordering Number

TL-53-B-F100-Q

Specifications subject to change without notice.

## TL 53



## OUR CERTIFICATE

DiGi provide top-quality products and perfect service for customer worldwide through standardization, technological innovation and continuous improvement. DiGi through third-party certification, we stricy control the quality of products and services. Welcome your RFQ to

Email: [Info@DiGi-Electronics.com](mailto:Info@DiGi-Electronics.com)



Tel: +00 852-30501935

RFQ Email: [Info@DiGi-Electronics.com](mailto:Info@DiGi-Electronics.com)

DiGi is a global authorized distributor of electronic components.