

33-1/G4C-ARTB Datasheet



DiGi Electronics Part Number	33-1/G4C-ARTB-DG
Manufacturer	Everlight Electronics Co Ltd
Manufacturer Product Number	33-1/G4C-ARTB
Description	LED GREEN CLEAR 3MM T/H
Detailed Description	Green 525nm LED Indication - Discrete 3.5V 4-DIP (0.200", 5.08mm)

<https://www.DiGi-Electronics.com>

This model 33-1/G4C-ARTB is available at DiGi Electronics.

DiGi Electronics offers a global database of semiconductor and electronic component datasheets.

We welcome your inquiries regarding pricing, lead time, or other product-related questions.

 [Request a Quote](#)

 [Datasheet Search](#)



Tel: +00 852-30501935

RFQ Email: Info@DiGi-Electronics.com

DiGi is a global authorized distributor of electronic components.

Purchase and inquiry

Manufacturer Product Number:

33-1/G4C-ARTB

Series:

-

Color:

Green

Lens Color:

Colorless

Millicandela Rating:

-

Lens Size:

3.00mm Dia

Current - Test:

30mA

Mounting Type:

Through Hole

Wavelength - Peak:

518nm

Package / Case:

4-DIP (0.200", 5.08mm)

Size / Dimension:

-

Manufacturer:

Everlight Electronics Co Ltd

Product Status:

Obsolete

Configuration:

Standard

Lens Transparency:

Clear

Lens Style:

Round with Domed Top

Voltage - Forward (Vf) (Typ):

3.5V

Viewing Angle:

90°

Wavelength - Dominant:

525nm

Features:

-

Supplier Device Package:

3mm POWER LED

Height (Max):

5.95mm

Environmental & Export classification

Moisture Sensitivity Level (MSL):

2A (4 Weeks)

HTSUS:

8541.41.0000

ECCN:

EAR99



Technical Data Sheet

3mm POWER LED

33-01/G4C-ARTB

Benefits

- . High Flux Output.
- . Low Profile.
- . Low Thermal Resistance.
- . Low Power Consumption.
- . The product itself will remain within RoHS compliant version.
- . ESD-withstand voltage: up to 4KV.



Descriptions

This revolutionary package design allows the light designer to reduce the number of LEDs required and provide a more uniform and unique illuminated appearance than with other LED solutions. This is possible through the efficient optical package design and high-current capabilities.

The low profile package can be easily coupled with reflectors or lenses to efficiently distribute light and provide the desired light appearance.

Applications

- . Automotive Exterior Lighting
- . Electronic Signs and Signals
- . Channel Letter
- . Special Lighting application

Device Selection Guide

PART NO.	Chip		Lens Color
	Material	Emitted Color	
33-01/G4C-ARTB	InGaN	Brilliant Green	Water Clear

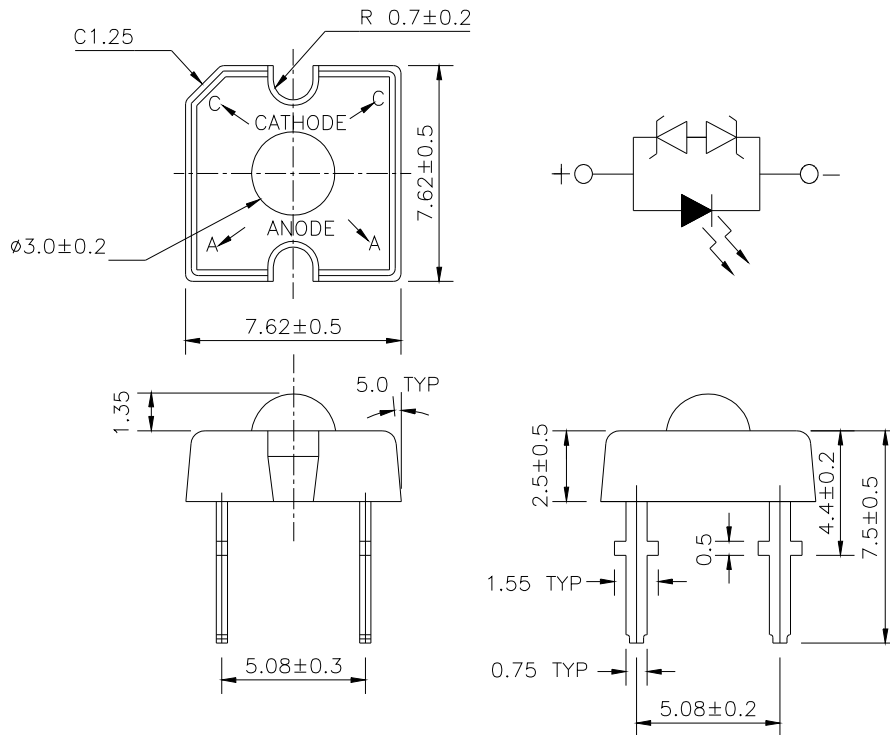


Technical Data Sheet

3mm POWER LED

33-01/G4C-ARTB

Package Dimensions



Notes: 1.All dimensions are in millimeters

2.An epoxy meniscus may extend about 1.5mm(0.059") down the leads

3.Tolerances unless dimensions $\pm 0.25\text{mm}$

Absolute Maximum Ratings ($T_a=25^\circ\text{C}$)

Parameter	Symbol	Rating	Units
Continuous Forward Current	I_F	30	mA
Peak Forward Current(Duty 1/10 @ 1KHZ)	I_{FP}	100	mA
Operating Temperature	T_{opr}	-40 ~ +85	$^\circ\text{C}$
Storage Temperature	T_{stg}	-40 ~ +100	$^\circ\text{C}$
Soldering Temperature($T=5$ sec)	T_{sol}	260 ± 5	$^\circ\text{C}$
Power Dissipation	P_d	120	mW
Zener Reverse Current	I_Z	100	mA
Electrostatic Discharge	ESD	4K	V
LED Junction Temperature	T_j	110	$^\circ\text{C}$



LIGHTING FOREVER

Technical Data Sheet

3mm POWER LED

33-01/G4C-ARTB**Electro-Optical Characteristics (Ta=25°C)**

Parameter	Symbol	Min.	Typ.	Max.	Condition	Unit
Total Flux	Φ_v	4500	5650	9000	$I_F=30\text{mA}$	mlm
Viewing Angle	$2\theta_{1/2}$	----	90	----	$I_F=30\text{mA}$	deg
Peak Wavelength	λ_p	----	518	----	$I_F=30\text{mA}$	Nm
Dominant Wavelength	λ_d	520	525	532	$I_F=30\text{mA}$	Nm
Forward Voltage	V_F	3.0	----	4.0	$I_F=30\text{mA}$	V
Reverse Current	I_R	----	----	10	$V_R=5\text{V}$	μA
Zener Reverse Voltage	V_Z	5.2	----	----	$I_Z=5\text{mA}$	V

Rank

33-01/G4C-ARTB

(1)

(2)

(3)

(1) $V_F(\text{V})$			(2) λ_d			(3) $\Phi_v(\text{mlm})$		
Bin.	Min.	Max.	Bin.	Min.	Max.	Bin.	Min.	Max.
1	3.00	3.20	3	520	524	R	4500	5650
2	3.20	3.40	4	524	528	S	5650	7150
3	3.40	3.60	5	528	532	T	7150	9000
4	3.60	3.80						
5	3.80	4.00						

*Measurement Uncertainty of Forward Voltage : $\pm 0.1\text{V}$ *Measurement Uncertainty of Total Flux: $\pm 15\%$ *Measurement Uncertainty of Dominant Wavelength $\pm 1.0\text{nm}$



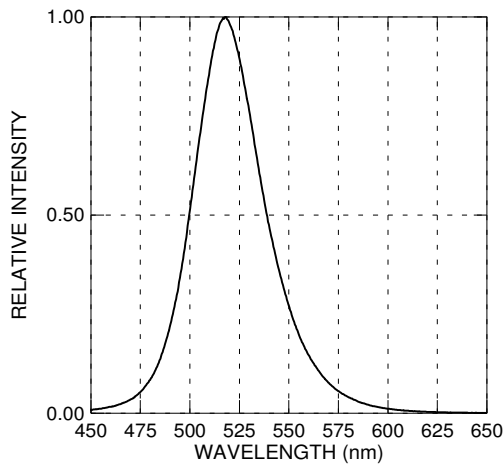
Technical Data Sheet

3mm POWER LED

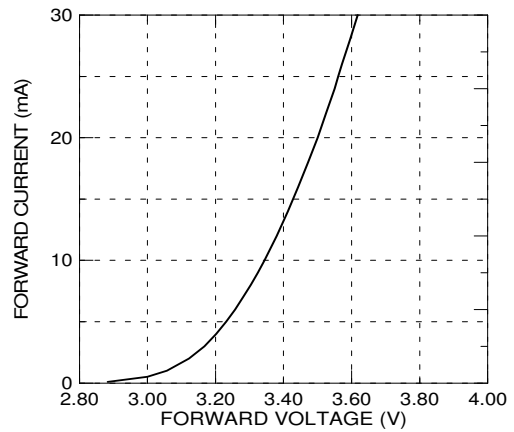
33-01/G4C-ARTB

Typical Electro-Optical Characteristics Curves

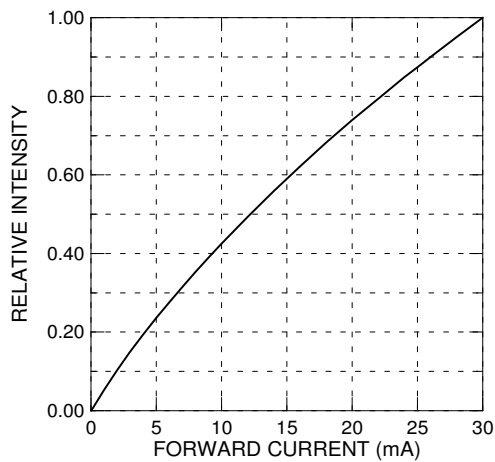
Relative Intensity vs. Wavelength



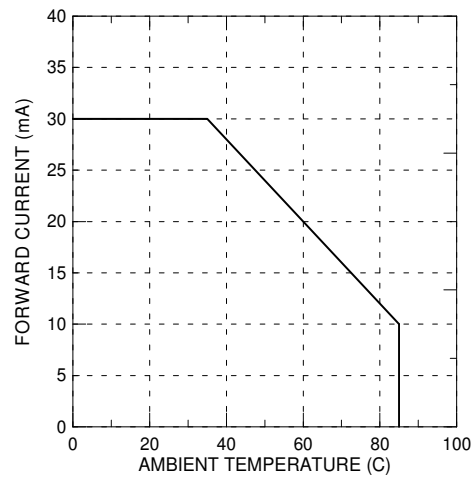
Forward Current vs. Forward Voltage



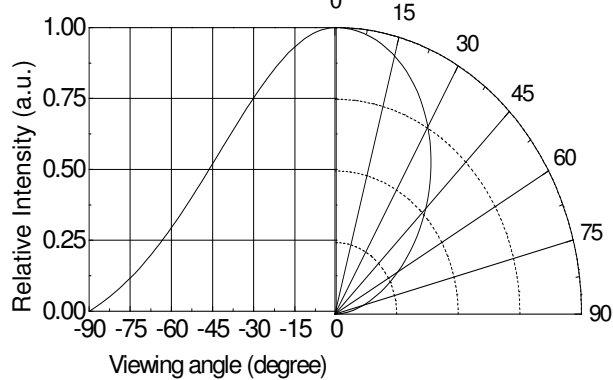
Relative Intensity vs. Forward Current



Forward Current vs. Ambient Temp.



Relative Intensity vs. Displacement Angle





LIGHTING FOREVER

Technical Data Sheet

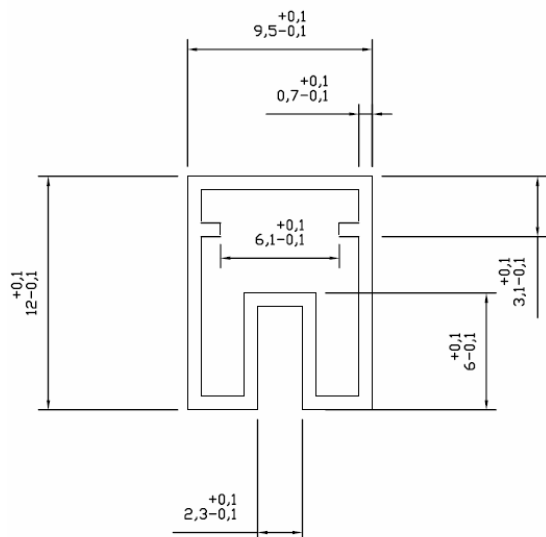
3mm POWER LED

33-01/G4C-ARTB

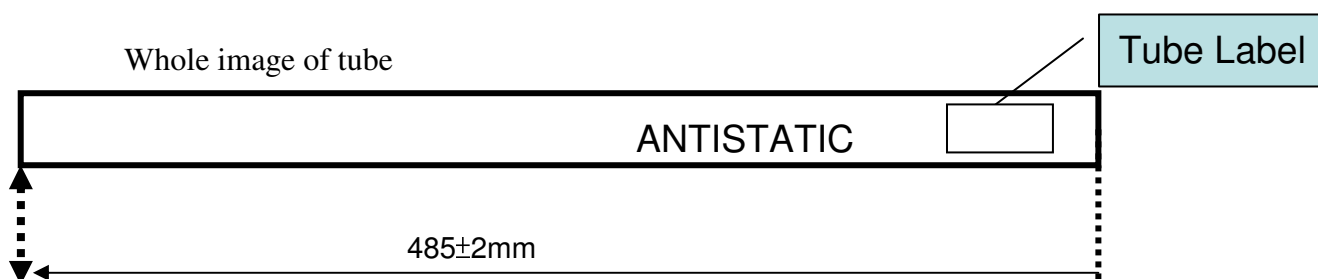
Packing Specification

1. Tube

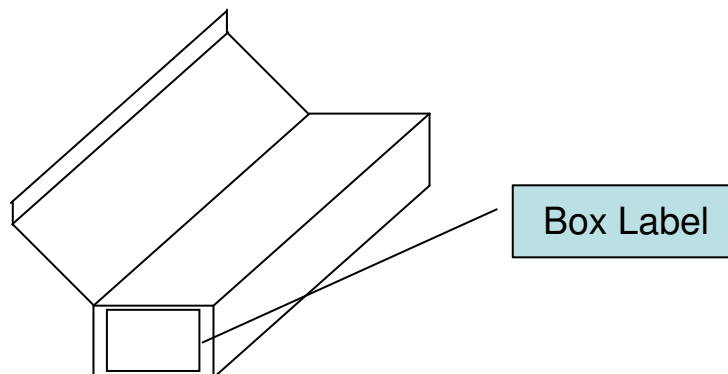
Cross section image of tube



Unit: mm



2. Inner Box



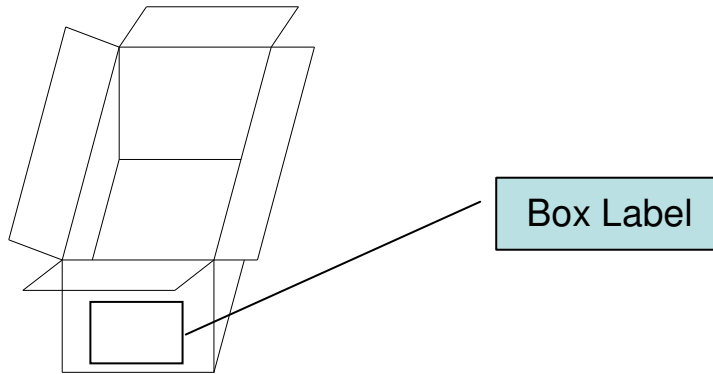


Technical Data Sheet

3mm POWER LED

33-01/G4C-ARTB

3. Outside Box

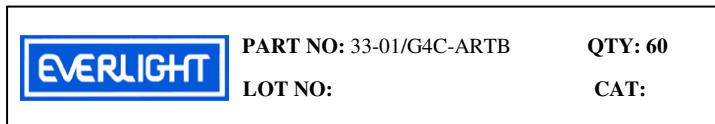


4. Packing Quantity

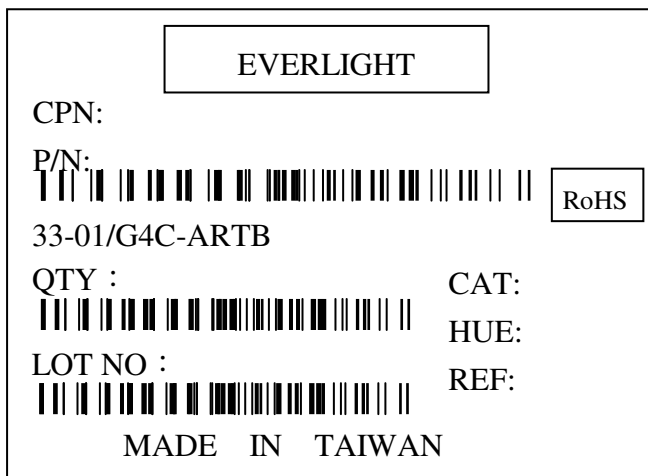
- (1) 60 pcs/1 tube, 30 tubes/1 small inside box, 12 small inside boxes/1 outside box.
- (2) 60 pcs/1 tube, 105 tubes/1 big inside box, 4 big inside boxes/1 outside box.

Label Form Specification

(1) Tube Label Form



(2) Box Label Form



PART NO: Everlight's Production Number
 QTY: Packing Quantity
 LOT NO: Lot Number
 CAT: Ranks of Forward Voltage, Color Bin Grade and Total Flux
 CPN: Customer's Production Number
 P/N : Production Number
 HUE: Reference
 REF: Reference
 MADE IN TAIWAN: Production Place



LIGHTING FOREVER

Technical Data Sheet

3mm POWER LED

33-01/G4C-ARTB

Notes

1. Lead Forming

- During lead formation, the leads should be bent at a point at least 3mm from the base of the epoxy bulb.
- Lead forming should be done before soldering.
- Avoid stressing the LED package during leads forming. The stress to the base may damage the LED's characteristics or it may break the LEDs.
- Cut the LED leadframes at room temperature. Cutting the leadframes at high temperatures may cause failure of the LEDs.
- When mounting the LEDs onto a PCB, the PCB holes must be aligned exactly with the lead position of the LED. If the LEDs are mounted with stress at the leads, it causes deterioration of the epoxy resin and this will degrade the LEDs.

2. Storage

- The LEDs should be stored at 30°C or less and 70%RH or less after being shipped from Everlight and the storage life limits are 3 months. If the LEDs are stored for 3 months or more, they can be stored for a year in a sealed container with a nitrogen atmosphere and moisture absorbent material.
- Please avoid rapid transitions in ambient temperature, especially, in high humidity environments where condensation can occur.

3. Soldering

- Careful attention should be paid during soldering. Solder the LED no lower than 1.6mm from the base of stopper is recommended.
- Avoiding applying any stress to the lead frame while the LEDs are at high temperature particularly when soldering.
- Recommended soldering conditions:

Hand Soldering		DIP Soldering	
Temp. at tip of iron	300°C Max. (30W Max.)	Preheat temp.	100°C Max. (60 sec Max.)
Soldering time	3 sec Max.	Bath temp.	260 Max.
Distance	No lower than 1.6mm from the base of stopper	Bath time.	5 sec Max.
		Distance	No lower than 1.6mm from the base of stopper

- Avoiding applying any stress to the lead frame while the LEDs are at high temperature



Technical Data Sheet

3mm POWER LED

33-01/G4C-ARTB

particularly when soldering.

- Dip and hand soldering should not be done more than one time
- After soldering the LEDs, the epoxy bulb should be protected from mechanical shock or vibration until the LEDs return to room temperature.
- A rapid-rate process is not recommended for cooling the LEDs down from the peak temperature.
- Although the recommended soldering conditions are specified in the above table, dip or handsoldering at the lowest possible temperature is desirable for the LEDs.
- Wave soldering parameter must be set and maintain according to recommended temperature and dwell time in the solder wave.

4. Cleaning

- When necessary, cleaning should occur only with isopropyl alcohol at room temperature for a duration of no more than one minute. Dry at room temperature before use.
- Do not clean the LEDs by the ultrasonic. When it is absolutely necessary, the influence of ultrasonic cleaning on the LEDs depends on factors such as ultrasonic power and the assembled condition. Ultrasonic cleaning shall be pre-qualified to ensure this will not cause damage to the LED

5. Circuit Protection

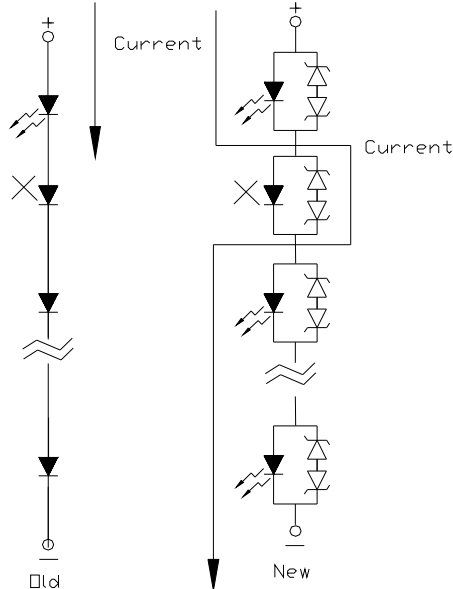
- Below the zener reference voltage V_z , all the current flows through LED and as the voltage rises to V_z , the zener diode "breakdown." If the voltage tries to rise above V_z current flows through the zener branch to keep the voltage at exactly V_z .
- When the LED is connected using serial circuit, if either piece of LED is no light up but current can't flow through causing others to light down. In new design, the LED is parallel with zener diode. if either piece of LED is no light up but current can flow through causing others to light up.



Technical Data Sheet

3mm POWER LED

33-01/G4C-ARTB



6. Heat Management

- Heat management of LEDs must be taken into consideration during the design stage of LED application. The current should be de-rated appropriately by referring to the de-rating curve found in each product specification.
- The temperature surrounding the LED in the application should be controlled. Please refer to the data sheet de-rating curve.

7. ESD (Electrostatic Discharge)

- Electrostatic discharge (ESD) or surge current (EOS) can damage LEDs.
- An ESD wrist strap, ESD shoe strap or antistatic gloves must be worn whenever handling LEDs.
- All devices, equipment and machinery must be properly grounded.
- Use ion blower to neutralize the static charge which might have built up on surface of the LEDs plastic lens as a result of friction between LEDs during storage and handing.

8. Other

- Above specification may be changed without notice. EVERLIGHT will reserve authority on material change for above specification.
- When using this product, please observe the absolute maximum ratings and the instructions for using outlined in these specification sheets. EVERLIGHT assumes no responsibility for any damage resulting from use of the product which does not comply with the absolute maximum ratings and the instructions included in these specification sheets.



Technical Data Sheet

3mm POWER LED

33-01/G4C-ARTB

- These specification sheets include materials protected under copyright of EVERLIGHT corporation. Please don't reproduce or cause anyone to reproduce them without EVERLIGHT's consent.

EVERLIGHT ELECTRONICS CO., LTD.

Office: No 25, Lane 76, Sec 3, Chung Yang Rd,
Tucheng, Taipei 236, Taiwan, R.O.C

Tel: 886-2-2267-2000, 2267-9936

Fax: 886-2267-6244, 2267-6189, 2267-6306
<http://www.everlight.com>

OUR CERTIFICATE

DiGi provide top-quality products and perfect service for customer worldwide through standardization, technological innovation and continuous improvement. DiGi through third-party certification, we stricly control the quality of products and services. Welcome your RFQ to

Email: Info@DiGi-Electronics.com



Tel: +00 852-30501935

RFQ Email: Info@DiGi-Electronics.com

DiGi is a global authorized distributor of electronic components.