

# 20.23.8.230.0000 Datasheet



DiGi Electronics Part Number	20.23.8.230.0000-DG
Manufacturer	<a href="#">Finder Relays, Inc.</a>
Manufacturer Product Number	20.23.8.230.0000
Description	RELAY IMPULSE DPST 16A 230V
Detailed Description	Impulse Relay DPST-NO/NC (1 Form A, 1 Form B) 23 0VAC Coil DIN Rail

<https://www.DiGi-Electronics.com>

This model 20.23.8.230.0000 is available at DiGi Electronics.

DiGi Electronics offers a global database of semiconductor and electronic component datasheets.

We welcome your inquiries regarding pricing, lead time, or other product-related questions.

 [Request a Quote](#)

 [Datasheet Search](#)



Tel: +00 852-30501935

RFQ Email: [Info@DiGi-Electronics.com](mailto:Info@DiGi-Electronics.com)

DiGi is a global authorized distributor of electronic components.

## Purchase and inquiry

**Manufacturer Product Number:**

20.23.8.230.0000

**Series:**

20

**Mounting Type:**

DIN Rail

**Contact Form:**

DPST-NO/NC (1 Form A, 1 Form B)

**Switching Voltage:**

400VAC - Max

**Coil Current:**

28 mA

**Features:**

Mechanical Indicator, Test Button

**Seal Rating:**

-

**Must Operate Voltage:**

192 VAC

**Operating Temperature:**

-40°C ~ 40°C

**Approval Agency:**

CE, cULus, EAC, RINA, UKCA

**Coil Resistance:**

2.5 kOhms

**Manufacturer:**

Finder Relays, Inc.

**Product Status:**

Active

**Coil Voltage:**

230VAC

**Contact Rating (Current):**

16 A

**Load - Max Switching:**

6400VA

**Coil Type:**

Latching, Single Coil

**Termination Style:**

Screw Terminal

**Coil Insulation:**

-

**Must Release Voltage:**

-

**Contact Material:**

Silver Nickel (AgNi)

**Relay Type:**

Impulse

**Base Product Number:**

20.23.8

## Environmental & Export classification

**Moisture Sensitivity Level (MSL):**

Not Applicable

**ECCN:**

EAR99

**REACH Status:**

REACH Unaffected

**HTSUS:**

8536.49.0075



# Modular step relays 16 A



Automation for blinds, grilles and shutters



Living room light control



Bedroom light control



Lighting control in corridors (for hotels, offices and hospitals)



20  
SERIES



**1 or 2 Pole 16 A Step relays for direct 35 mm rail (EN 60715) mounting**

- 17.4 mm wide
- Test button with mechanical indicators
- Choice of 7 switching sequences
- AC coils and DC coils
- Identification label
- According to EN 60601-1 2 x MOPP
- Possible to connect illuminated push-buttons with the additional part 026.00
- 35 mm rail (EN 60715) mount
- Cadmium free contact material

20.21/20.2x/20.23  
Box clamp/Screw terminal



FOR UL RATINGS SEE:  
"General technical information" page IX

For outline drawing see page 5

**Contact specification**

Contact configuration	1 NO (SPST-NO)	2 NO (DPST-NO)	1 NO + 1 NC (SPST-NO + SPST-NC)
Rated current/Maximum peak current	A 16/30	A 16/30	A 16/30
Rated voltage/ Maximum switching voltage	V AC 250/400	V AC 250/400	V AC 250/400
Rated load AC1	VA 4000	VA 4000	VA 4000
Rated load AC15 (230 V AC)	VA 750	VA 750	VA 750
Nominal lamp rating:			
230 V incandescent/halogen W	2000	2000	2000
fluorescent tubes with electronic ballast W	1000	1000	1000
fluorescent tubes with electromagnetic ballast W	750	750	750
CFL W	400	400	400
230 V LED W	400	400	400
LV halogen or LED with electronic ballast W	400	400	400
LV halogen or LED with electromagnetic ballast W	800	800	800
Minimum switching load	mW (V/mA) 1000 (10/10)	mW (V/mA) 1000 (10/10)	mW (V/mA) 1000 (10/10)
Standard contact material	AgSnO <sub>2</sub>	AgSnO <sub>2</sub>	AgSnO <sub>2</sub>

**Coil specification**

Nominal voltage (U <sub>N</sub> )	V AC (50/60 Hz)	8 - 12 - 24 - 48 - 110 - 120 - 230 - 240	
	V DC	12 - 24 - 48 - 110	12 - 24 - 48 - 110
Rated power AC/DC	VA (50 Hz)/W	6.5/5	6.5/5
Operating range	AC	(0.85...1.1)U <sub>N</sub> (50 Hz)/(0.9...1.1)U <sub>N</sub> (60 Hz)	
	DC	(0.9...1.1)U <sub>N</sub>	

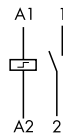
**Technical data**

Mechanical life AC/DC	cycles	300 · 10 <sup>3</sup>	300 · 10 <sup>3</sup>	300 · 10 <sup>3</sup>
Electrical life at rated load in AC1	cycles	100 · 10 <sup>3</sup>	100 · 10 <sup>3</sup>	100 · 10 <sup>3</sup>
Minimum/Maximum impulse duration		0.1 s/1 h (according to EN 60669)	0.1 s/1 h (according to EN 60669)	0.1 s/1 h (according to EN 60669)
Insulation between coil and contacts (1.2/50 μs)	kV	4	4	4
Ambient temperature range	°C	-40...+40	-40...+40	-40...+40
Protection category		IP 20	IP 20	IP 20

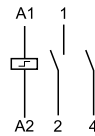
**Approvals** (according to type)



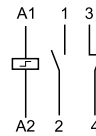
- Single phase switch 1 NO (SPST-NO)
- 35 mm rail (EN 60715) mount



- Double phase switch
- 35 mm rail (EN 60715) mount



- Double phase switch 1 NO + 1 NC (SPST-NO + SPST-NC)
- 35 mm rail (EN 60715) mount



### Ordering information

Example: 20 series relay, 35 mm rail (EN 60715) mount, double phase switch, 2 NO 16 A contacts, coil rated at 12 V DC, AgSnO<sub>2</sub> contacts.



**Series**  
**Type**  
2 = 35 mm rail (EN 60715) mount

**No. of poles**  
1 = Single phase switch 1 NO (SPST-NO)  
2 = Double phase switch 2 NO (DPST-NO)  
3 = Double phase switch 1 NC+ 1 NO (SPST-NO+SPST-NC)  
4 = 4 sequence double phase switch 2 NO (DPST-NO)  
6 = 3 sequence double phase switch 2 NO (DPST-NO)  
7 = 3 sequence double phase switch 2 NO (DPST-NO)  
8 = 4 sequence double phase switch 2 NO (DPST-NO)

**Contact material**  
0 = AgNi  
4 = AgSnO<sub>2</sub>  
**Coil voltage**  
See coil specifications  
**Coil version**  
8 = AC (50/60 Hz)  
9 = DC

### Technical data

Insulation					
Dielectric strength					
between supply and contacts	V AC	4000			
between open contacts	V AC	2000			
between adjacent contacts	V AC	2000			
Other data					
Power lost to the environment					
with rated current and coil deenergised	W	1.3 (20.21, 20.23, 20.28)		2.6 (20.22, 20.24, 20.26, 20.27)	
Screw torque	Nm	0.8		0.8	
Max. wire size		Coil terminals		Contact terminals	
		solid cable	stranded cable	solid cable	stranded cable
	mm <sup>2</sup>	1 x 4 / 2 x 2.5	1 x 2.5 / 2 x 2.5	1 x 6 / 2 x 4	1 x 4 / 2 x 2.5
	AWG	1 x 12 / 2 x 14	1 x 14 / 2 x 14	1 x 10 / 2 x 12	1 x 12 / 2 x 14

If the coil is operated for a prolonged period of time, adequate ventilation of the relays must be provided - suggested gap of 9 mm between adjacent relays.

### Coil specifications

#### DC version data

Nominal voltage U <sub>N</sub> V	Coil code	Operating range		Resistance R Ω	Consumption I at U <sub>N</sub> mA
		U <sub>min</sub> V	U <sub>max</sub> V		
12	9.012	10.8	13.2	27	440
24	9.024	21.6	26.4	105	230
48	9.048	43.2	52.8	440	110
110	9.110	99	121	2330	47

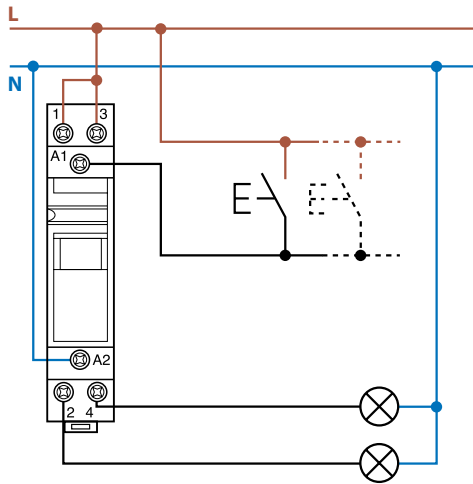
#### AC version data

Nominal voltage U <sub>N</sub> V	Coil code	Operating range		Resistance R Ω	Consumption I at U <sub>N</sub> (50 Hz) mA
		U <sub>min</sub> V	U <sub>max</sub> V		
8	8.008	6.8	8.8	4	800
12	8.012	10.2	13.2	7.5	550
24	8.024	20.4	26.4	27	275
48	8.048	40.8	52.8	106	150
110	8.110	93.5	121	590	64
120	8.120	102	132	680	54
230	8.230	192	253	2500	28
240	8.240	204	264	2700	27.5

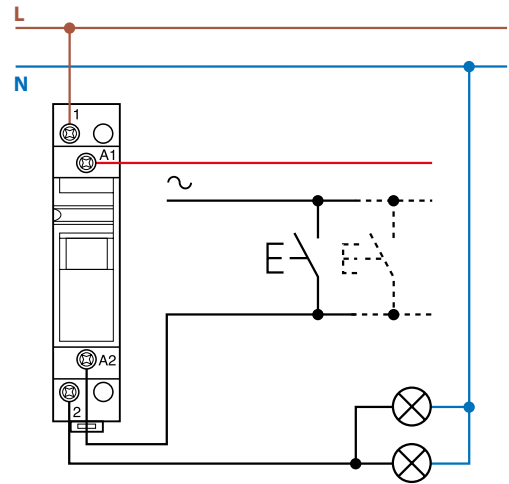
Type	Number of steps	Sequence			
		1	2	3	4
20.21	2				
20.22	2				
20.23	2				
20.24	4				
20.26	3				
20.27	3				
20.28	4				

K

### Wiring diagrams



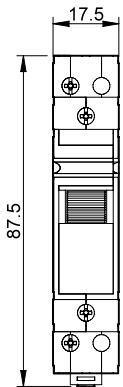
Example: 230 V AC supply voltage.



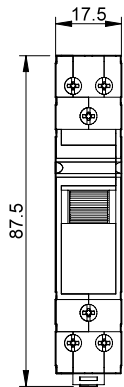
Example: 24 V AC supply voltage.

### Outline drawings

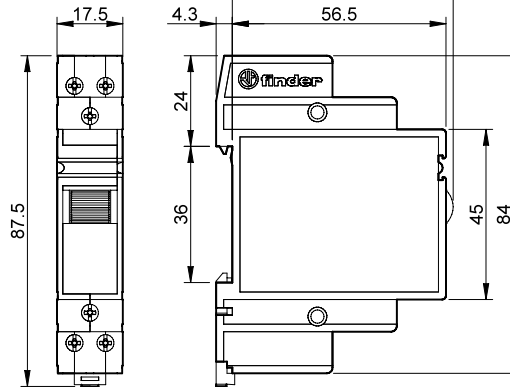
Type 20.21  
Box clamp/Screw terminal



Types 20.22/24/26/27/28  
Box clamp/Screw terminal

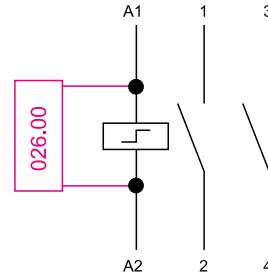
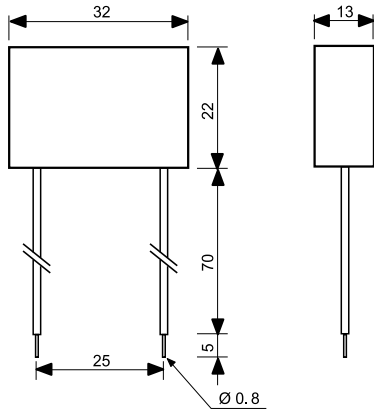


Type 20.23  
Box clamp/Screw terminal



Accessories

Module for use with illuminated push-buttons



Type 026.00

Sealed construction, 7.5 cm insulated flexible wire termination.

Example of wiring diagram of type 026.00

This module is necessary when using between 1 and a maximum of 15 illuminated push-buttons in the coil circuit (Each 1.5 mA max, 230 V AC). It must be connected in parallel to the coil of the relay.



020.01

Adaptor for panel mounting, 17.5 mm wide

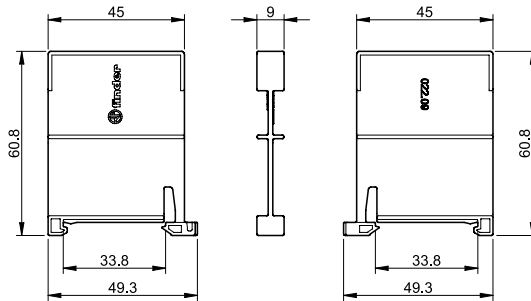
020.01



022.09

Separator for rail mounting, plastic, 9 mm wide

022.09



## OUR CERTIFICATE

DiGi provide top-quality products and perfect service for customer worldwide through standardization, technological innovation and continuous improvement. DiGi through third-party certification, we stricly control the quality of products and services. Welcome your RFQ to

Email: [Info@DiGi-Electronics.com](mailto:Info@DiGi-Electronics.com)



Tel: +00 852-30501935

RFQ Email: [Info@DiGi-Electronics.com](mailto:Info@DiGi-Electronics.com)

DiGi is a global authorized distributor of electronic components.